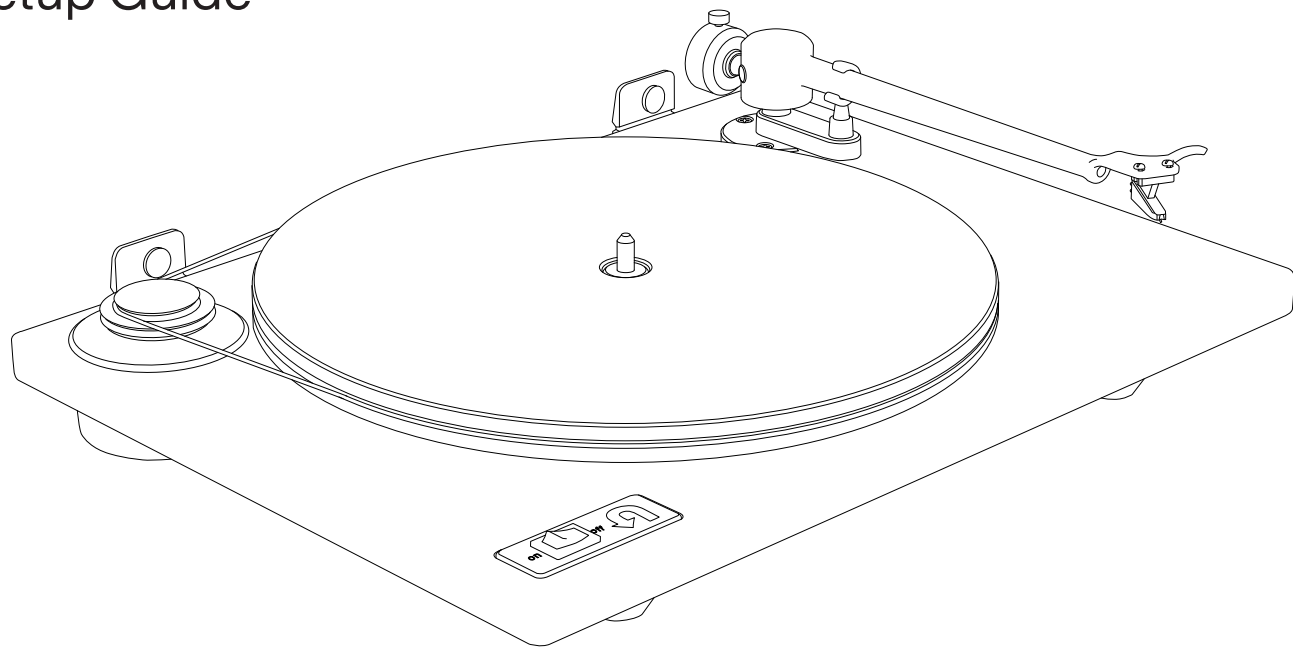


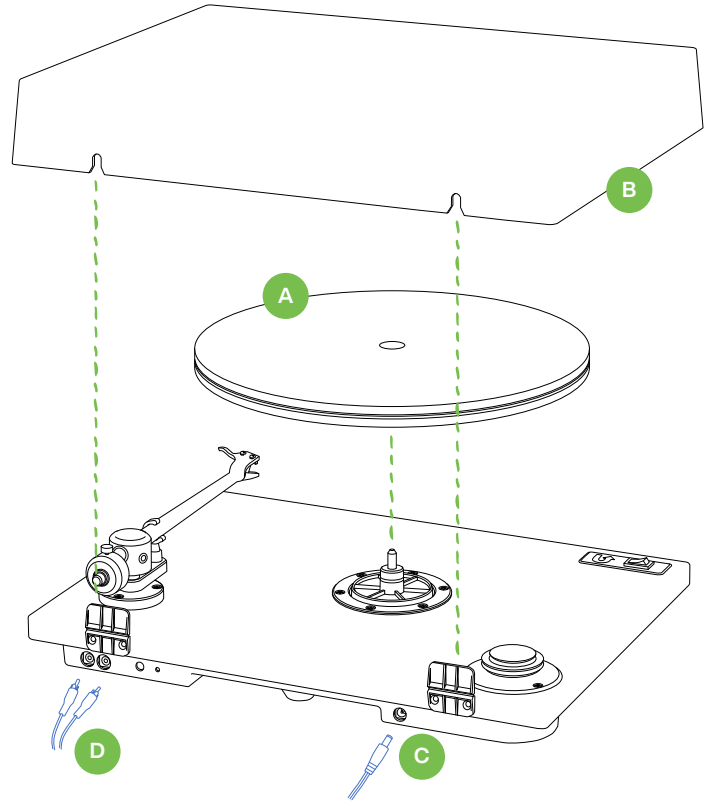
Orbit Turntable

Setup Guide



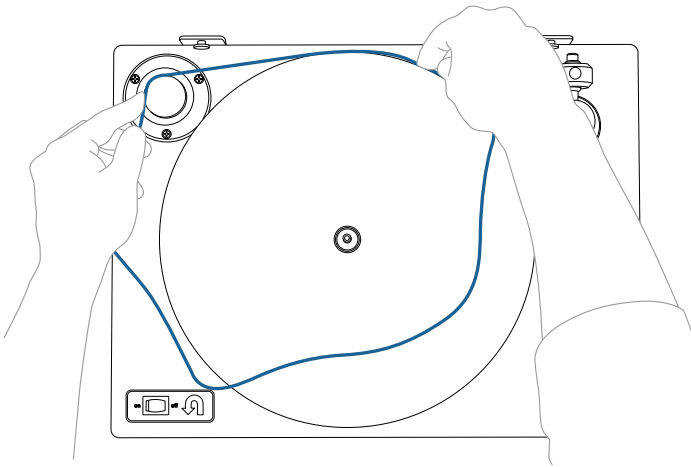
1 Getting started

- A Place platter on spindle.
- B Slide dust cover onto hinges.
- C Connect power adapter to power jack.
- D Connect RCA cables.

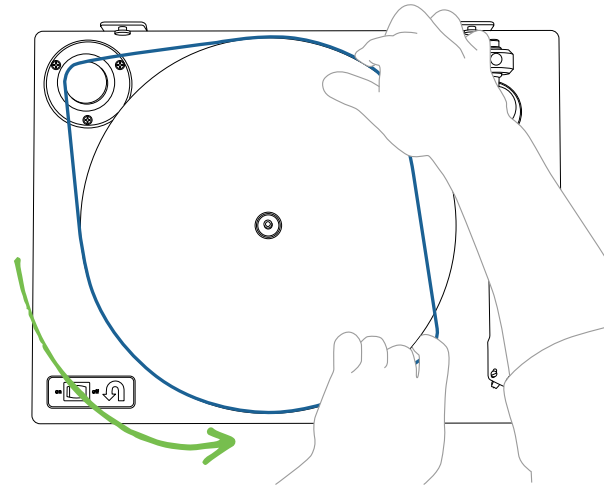


2 Installing the belt

- A** Wrap belt around pulley groove. Then hold belt along the platter's back edge with your right hand.



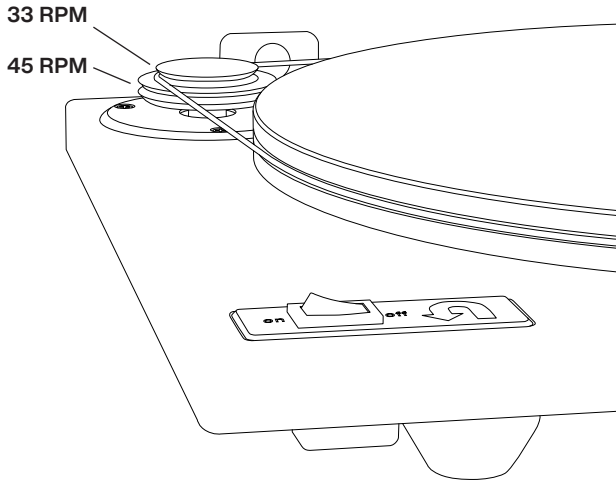
- B** Keeping your right hand in place, use your left hand to guide the belt into the groove around the platter.



3 Changing speeds

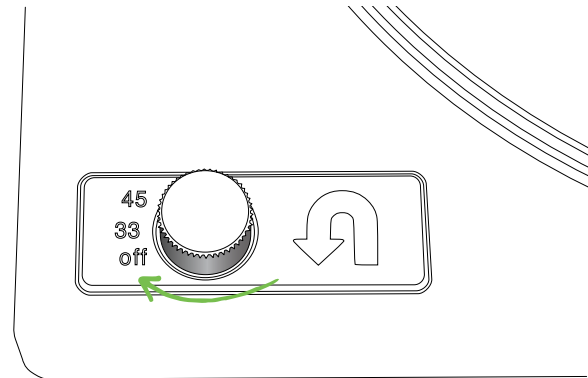
Manual speed change

Move belt to upper groove (33 RPM) or lower groove (45 RPM) to change speeds.



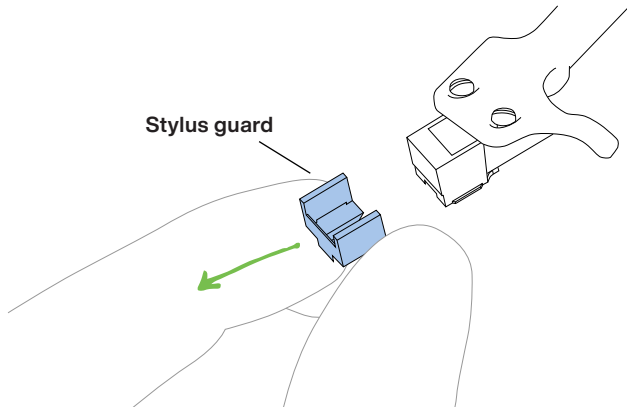
Electronic speed change (if equipped)

Change speeds (33/45 RPM) using the speed control knob.

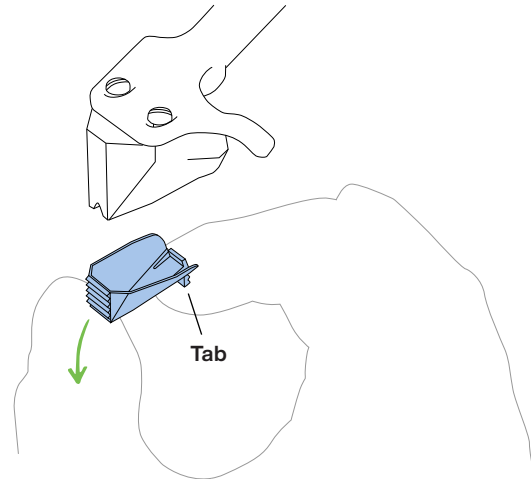


4 Removing the stylus guard

For Audio-Technica, Grado, and Ortofon OM5E:
Pull cover forward until it slides off.



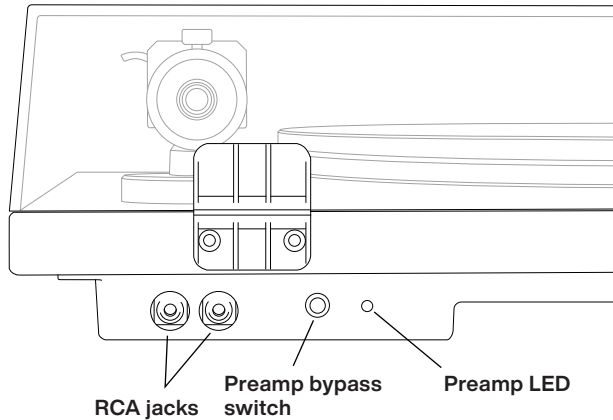
For Ortofon 2M Red and Blue:
Pinch tab then pull cover down.



5 Connecting the turntable

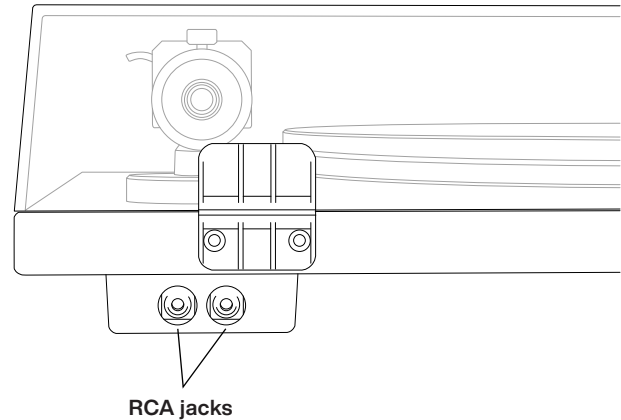
Using the built-in phono preamp (if equipped):

Turn preamp on or off by pressing the bypass switch. Preamp is enabled when preamp LED is on. With preamp enabled, connect turntable directly to any powered speakers or amplifier.



If your turntable has no built-in preamp:

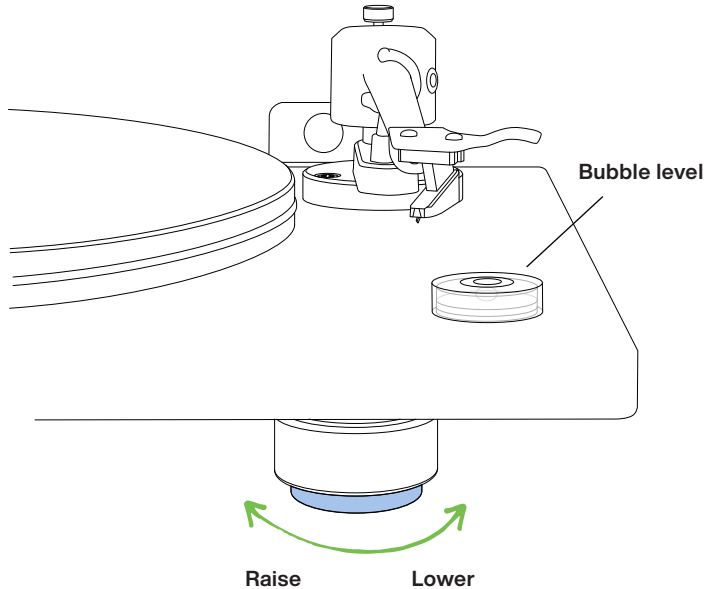
Connect turntable to an external phono preamp or any amplifier or speakers with a dedicated phono input.






6 Adjusting Iso-Level Feet (if equipped)

A Position turntable on a stable surface. Place bubble level (included) anywhere on top of plinth.

B If the bubble is not centered, adjust the height of the feet to level turntable. Turn bottom of foot to raise or lower it.



Bubble position	Adjustment
	Turntable is level
	Lower back foot or raise front feet
	Raise front left foot or lower front right and back foot

3-year warranty



We stand by our products with a 3-year warranty that covers any defects in materials or workmanship.

You can view our full warranty policy at uturnaudio.com/warranty.

If you need warranty service, please contact us at support@uturnaudio.com or by phone at (781) 451-1445.

Additional support



Setup videos & tutorials
uturnaudio.com/orbit-setup



Email
support@uturnaudio.com



Phone
(781) 451-1445