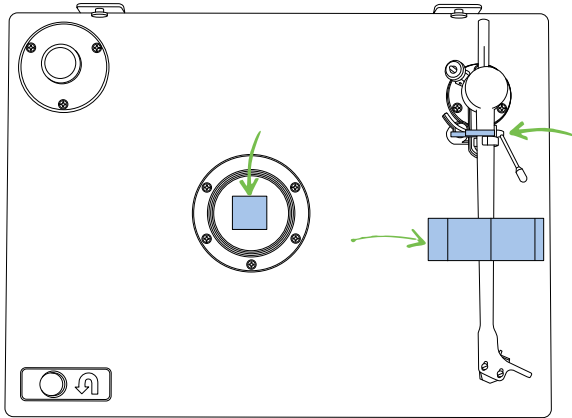


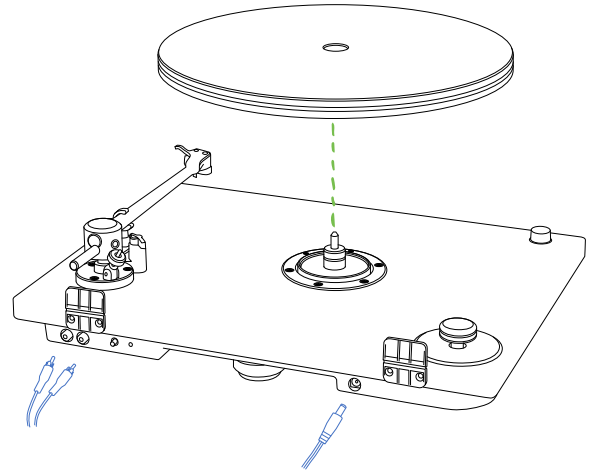


# 1 Getting started

- A** Remove foam block from spindle. Remove foam ring and twist tie from tonearm.

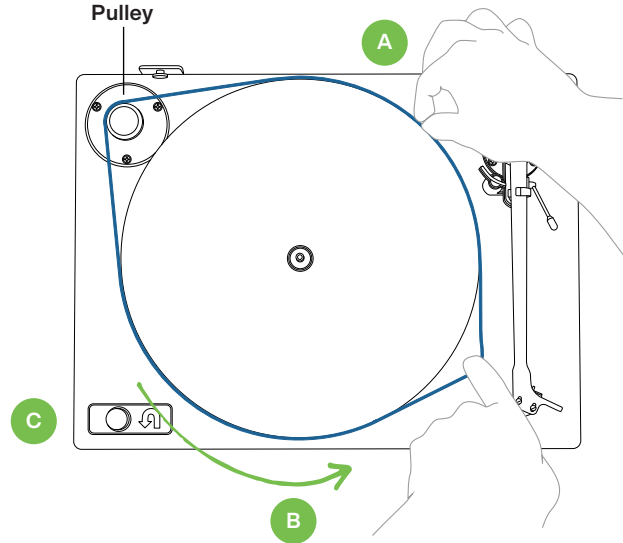


- B** Place platter on spindle. Connect power adapter and plug in RCA cables.



## 2 Install belt

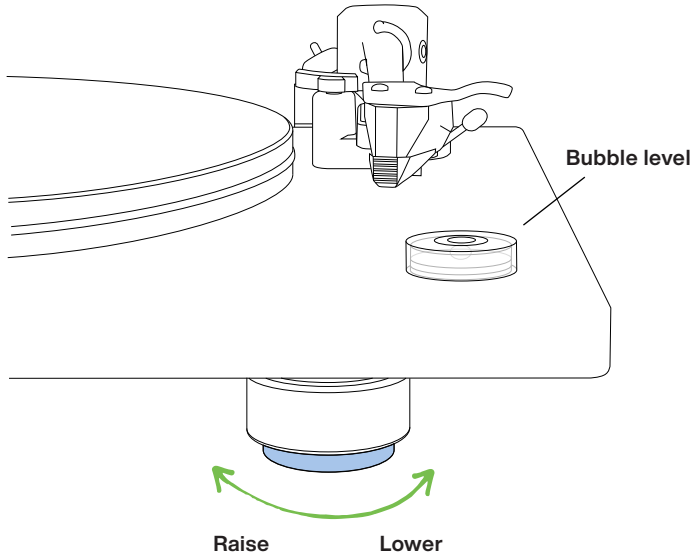
- A** Wrap belt around pulley groove. Then hold belt along the platter's back edge with your right hand.
- B** Keeping your right hand in place, use your left hand to guide the belt into the groove around the platter.
- C** Change speeds (33 or 45 RPM) using speed control knob.






### 3 Level turntable

**A** Position turntable on a stable surface. Place bubble level (included) anywhere on top of plinth.

**B** If the bubble is not centered, adjust the height of the feet to level turntable. Turn bottom of foot to raise or lower it.



Bubble position	Adjustment
	Turntable is level
	Lower back foot or raise front feet
	Raise front left foot or lower front right and back foot

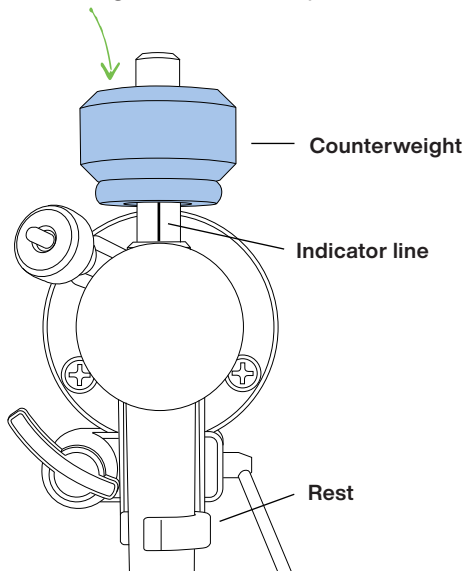
# 4 Tonearm setup



**Important:** Follow all steps for balancing the tonearm. Incorrect balancing may cause damage to the stylus or your records. For help, visit [uturnaudio.com/learn](http://uturnaudio.com/learn).

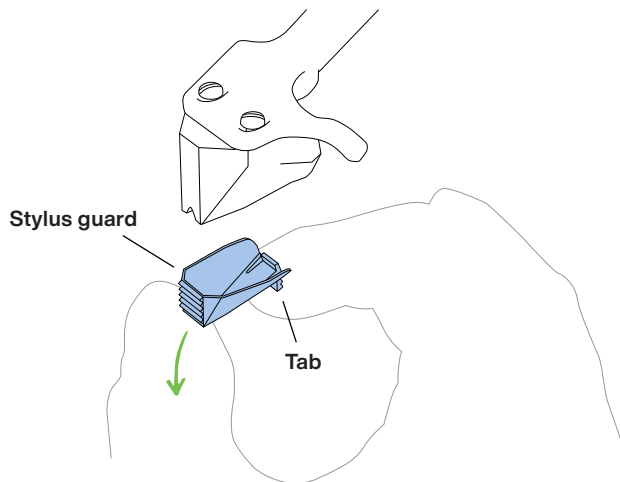
## A Install counterweight

With tonearm in rest, slide counterweight onto tonearm until it covers about half of the indicator line. The counterweight will click into place.



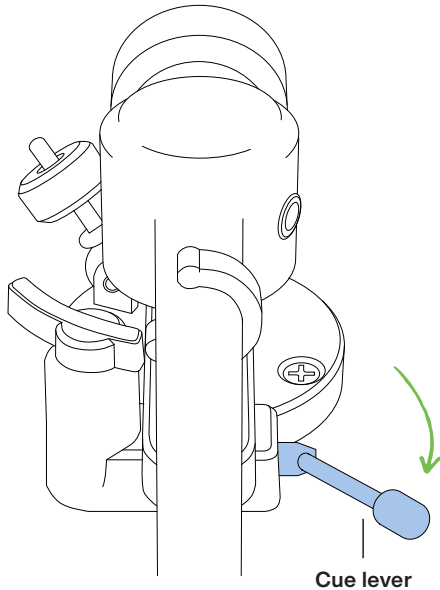
## B Remove stylus guard

Pinch tab on the bottom of stylus guard to release and remove it. Do not touch stylus.

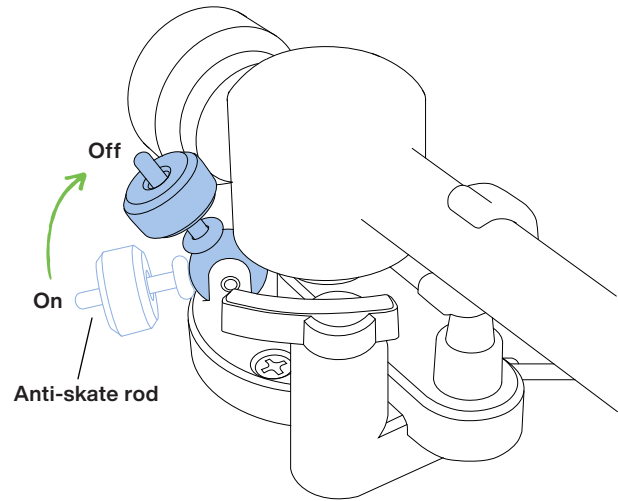


# 5 Tonearm setup continued

**A** Lower cue lever before balancing tonearm.



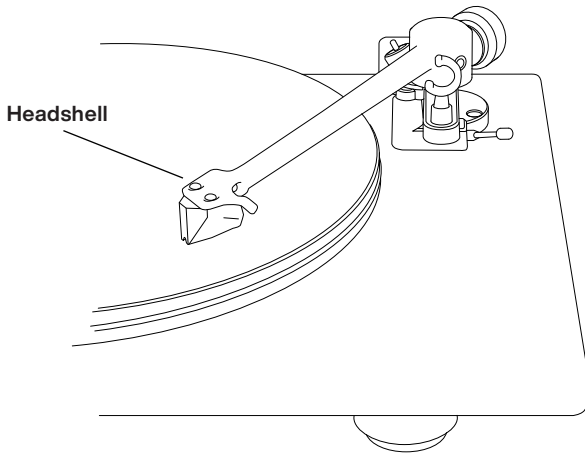
**B** Make sure anti-skate is turned off. To do so, lift the anti-skate rod up until it clicks into place.



# 6 Balance tonearm

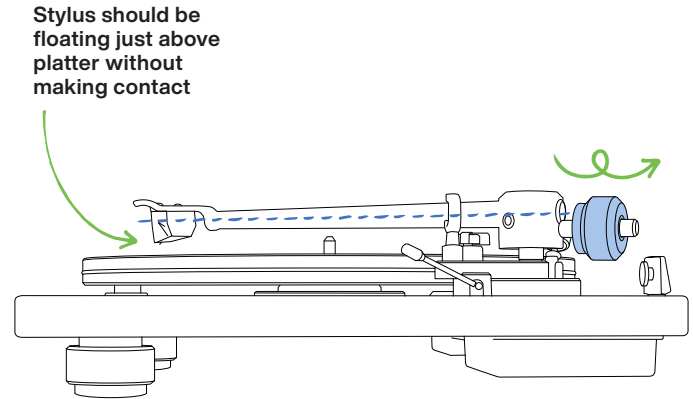
## A Position tonearm

Remove tonearm from rest and hold the headshell over the platter. Do not allow stylus to touch the platter.



## B Adjust counterweight

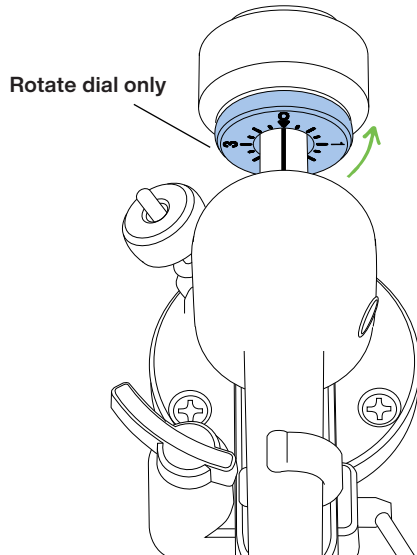
While holding the headshell, rotate the entire counterweight backwards until tonearm is balanced and floating horizontally when headshell is released.



# 7 Set tracking force

## A Calibrate counterweight dial

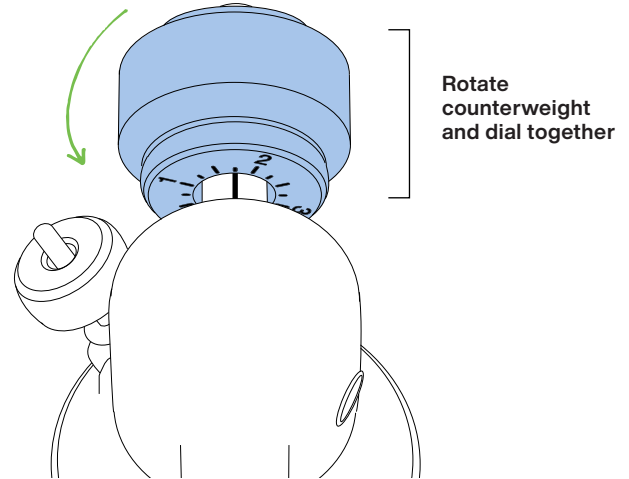
Place tonearm in rest. While holding the counterweight so it does not move, turn only the dial so the “0” marking lines up with the indicator line.



## B Set tracking force

Rotate the counterweight and dial together counter-clockwise until the indicator line is aligned with the desired tracking force value on the dial.

**Set tracking force to 1.75 g for Ortofon 2M Blue or 1.5 g for 2M Bronze.**

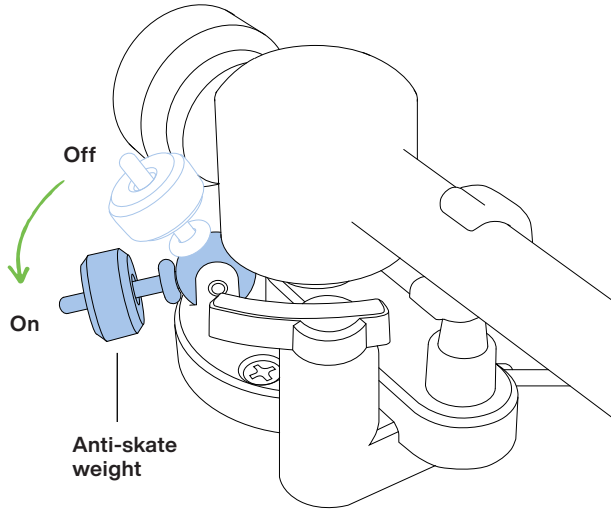




# 8 Set anti-skate

## A Activate anti-skate

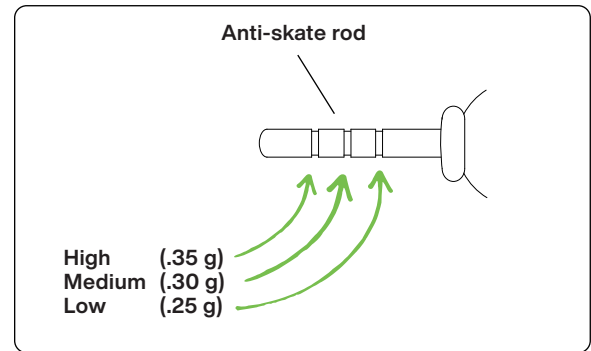
Push the anti-skate rod down until it clicks out of the locked position and rests on the tonearm base.



## B Adjusting anti-skate force

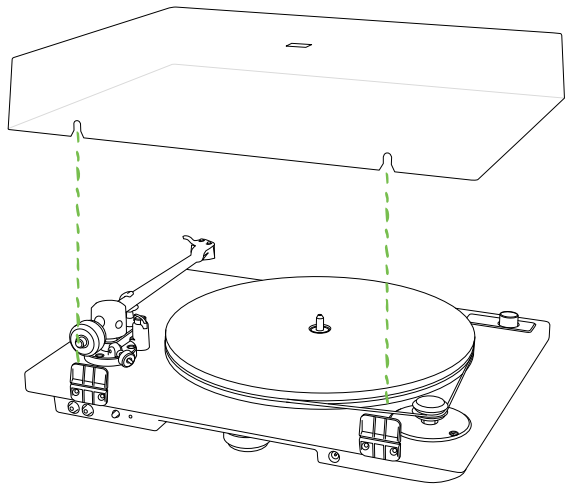
To adjust anti-skate force, push the anti-skate weight until it clicks into the desired setting on the anti-skate rod (shown below).

**Anti-skate force comes pre-set to the medium setting (.30 g) for Ortofon 2M cartridges.**

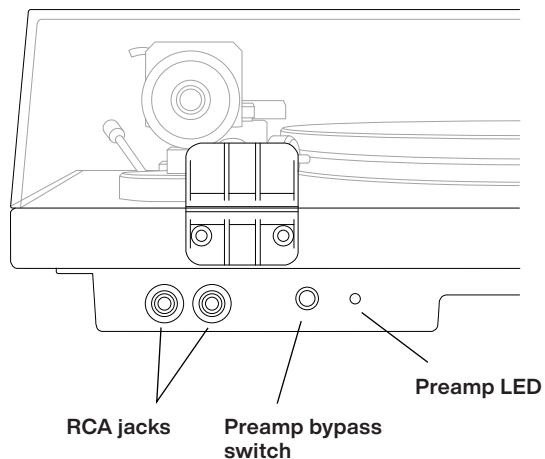


# 9 Final setup

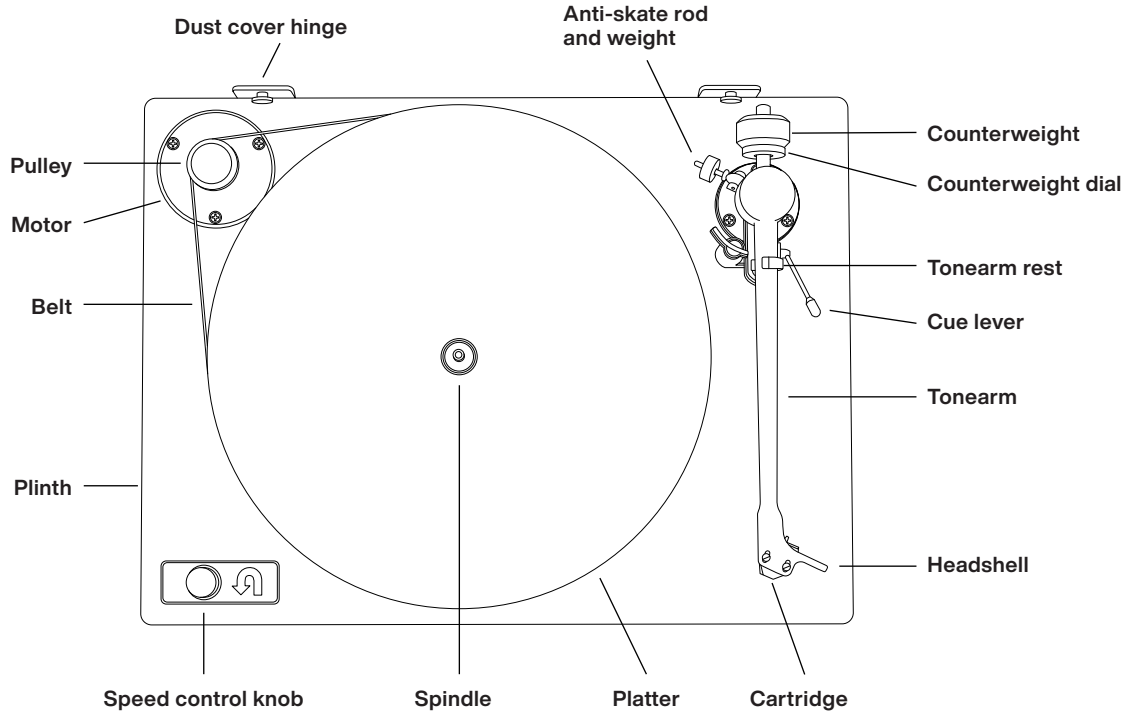
- A** **Install dust cover**  
Slide the dust cover onto the hinges.



- B** **Using the built-in phono preamp (if equipped)**  
The preamp is enabled when the preamp LED light is on. To turn preamp on or off, press the bypass switch.



# Orbit Theory Diagram



## 3-year warranty



We stand by our products with a 3-year warranty that covers any defects in materials or workmanship.

You can view our full warranty policy at [uturnaudio.com/warranty](https://uturnaudio.com/warranty).

If you need warranty service, please contact us at [support@uturnaudio.com](mailto:support@uturnaudio.com) or by phone at (781) 451-1445.

## Additional support



**Setup videos & tutorials**  
[uturnaudio.com/learn](https://uturnaudio.com/learn)



**Email**  
[support@uturnaudio.com](mailto:support@uturnaudio.com)



**Phone**  
(781) 451-1445